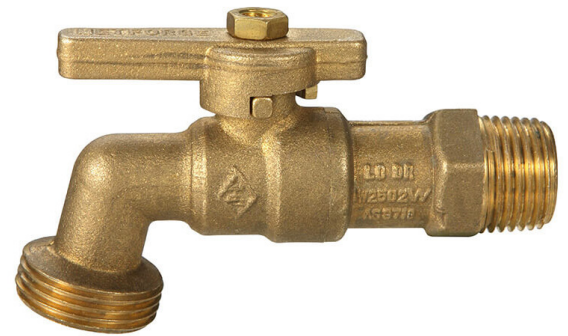
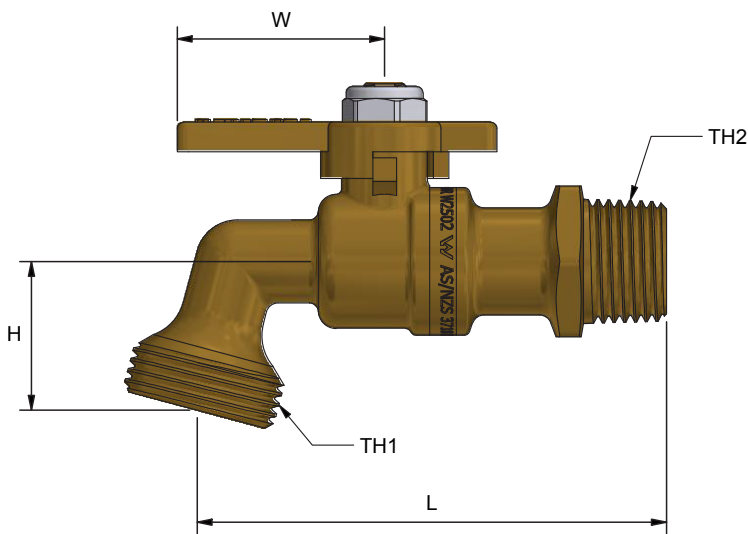


HOSE TAPS

Quarter Turn MI

Product Specifications

Metforge®
brassware



Specifications

Maximum working temperature 0°C to 60°C

Maximum pressure rating 1600kPa

Sizing Chart [MM]

	L	H	W	TH1	TH2
TH04	79	25	35	G 3/4"	R 1/2"
TH09	81	26	35	G 1"	R 3/4"
TH47*	79	25	35	G 3/4"	R 1/2"

* Nickel Dipped

Features



Watermark approved

100% pressure tested

Blow proof spindle

Tested and certified to AS/NZS 3718

Material Chart

Part	Material
Body	DR Brass
Ball	DR Brass
Cap	DR Brass
O Ring	EPDM
Handle	DR Brass
Spindle	DR Brass
Seal	PTFE

For more information on Metforge, contact:

Austworld 15 Activity Crescent, Molendinar, Queensland 4214 Australia

P. 1300 780 430

F. 1300 780 441

E. info@austworld.com.au

Austworld Pty Ltd. All rights reserved 2018. Austworld and Metforge are registered trade mark belonging to Austworld Pty Ltd.

AUSTWORLD